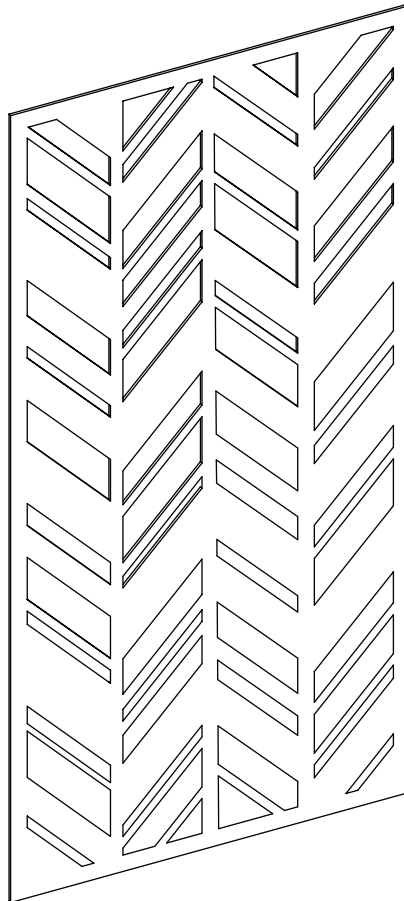


INSTALLATION INSTRUCTIONS

WORK ZONE DIVIDER



HANGERS

UPPER SUSPENSION KIT _____	PAGE 2
COMPLETE SUSPENSION KIT _____	PAGE 4
SLIDING TRACK _____	PAGE 6
SUSPENDED TRACK _____	PAGE 9
T-BAR CLIP _____	PAGE 13

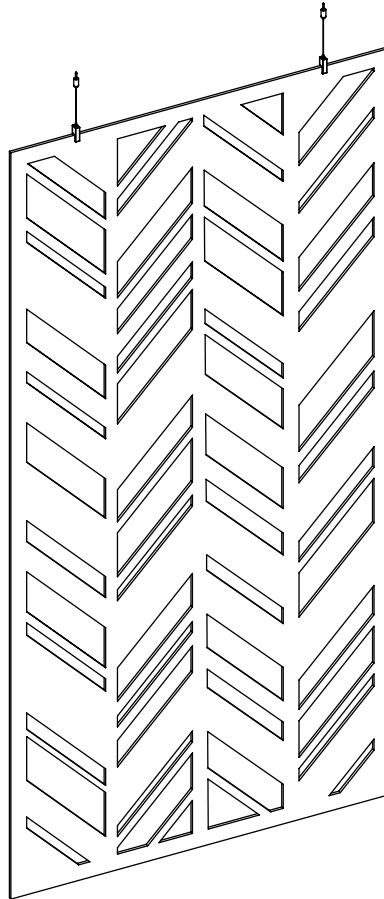
RECOMMENDED TOOLS

See the page of the Work Zone Divider Hanger type of your order to find the recommended tool kit.

INSTALLATION INSTRUCTIONS

WORK ZONE DIVIDER

UPPER SUSPENSION KIT



INSTALLATION HARDWARE



UPPER SUSPENSION HOUSING
QUANTITY: 2U | CF6-01



CLAMP FOR EZOBORD
QUANTITY: 2U | CBG-C

*Images reflect typical hardware options. Please refer to packing list for items & quantities specific to your order

RECOMMENDED TOOLS

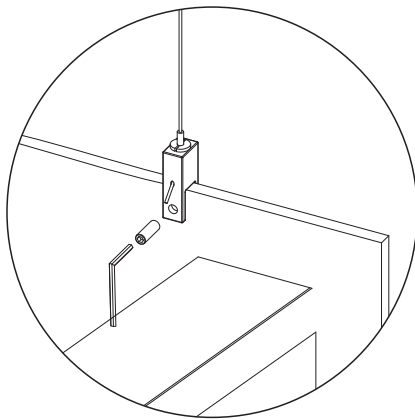
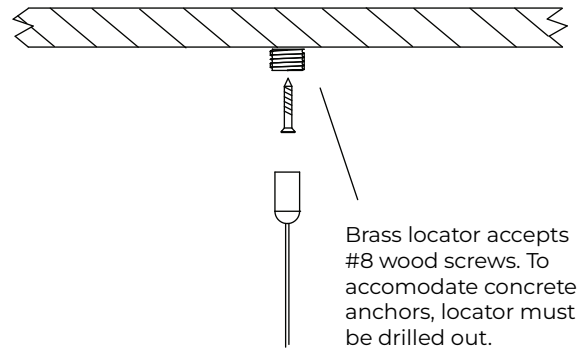
Drill - Level - Laser - Tape Measure - Allen Key

INSTALLATION INSTRUCTIONS

WORK ZONE DIVIDER

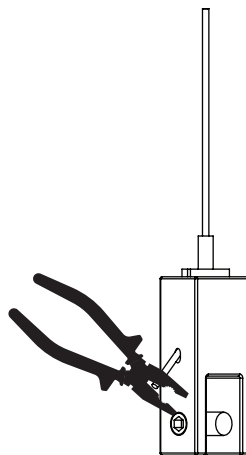
UPPER SUSPENSION KIT

- 1 Locate available suspension points on ceiling in relation to Work Zone Divider suspension locations.
- 2 Mount brass locators securely onto ceiling with substrate appropriate fasteners (not included). For ACT applications, wood backers needed.
- 3 Thread top caps onto brass locator by hand only.



- 4 Predrill holes for Ezo Clamps onto suspension points.
- 5 Secure Ezo Clamps to predrilled holes
- 6 Raise unit to suspended cables and insert cables into Ezo Clamp. Depress top nozzle of Ezo Clamp to loosen, cable will lock when released
- 7 Use Ezo Clamps to level unit

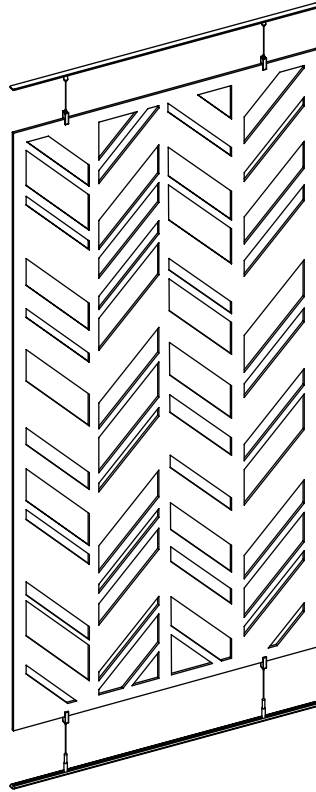
- 8 Trim excess cable



INSTALLATION INSTRUCTIONS

WORK ZONE DIVIDER

COMPLETE SUSPENSION KIT



INSTALLATION HARDWARE



UPPER SUSPENSION HOUSING
QUANTITY: 2U | CF6-01



CLAMP FOR EZOBORD
QUANTITY: 4U | CBG-C



LOWER SUSPENSION HOUSING
QUANTITY: 2U | CF6-02



SUSPENSION TRACK
QUANTITY: 2U | XT-04

*Images reflect typical hardware options. Please refer to packing list for items & quantities specific to your order

RECOMMENDED TOOLS

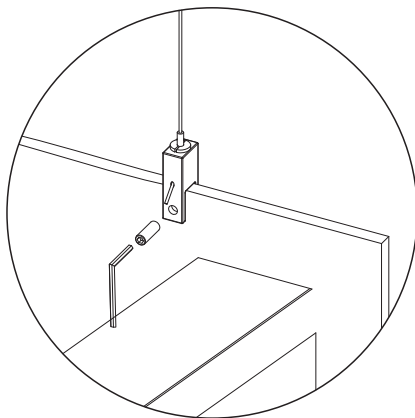
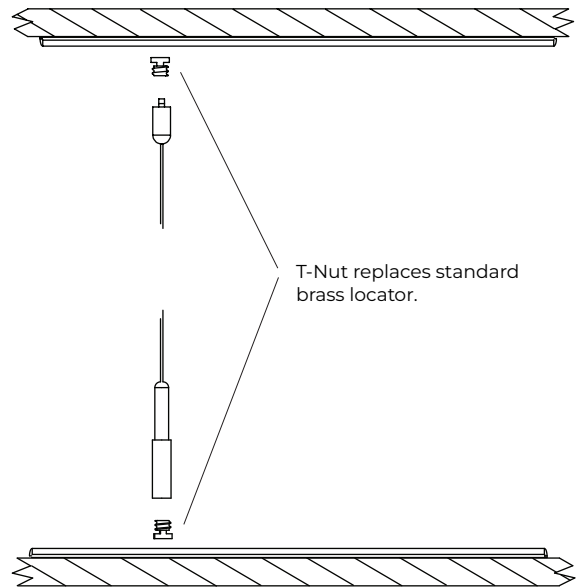
Drill - Level - Laser - Tape Measure - Allen Key

INSTALLATION INSTRUCTIONS

WORK ZONE DIVIDER

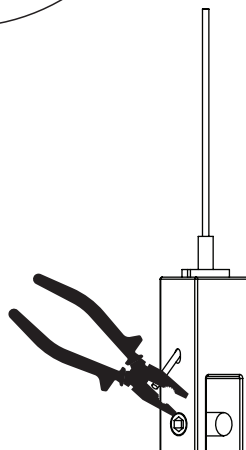
COMPLETE SUSPENSION KIT

- 1 Locate available pick points on ceiling and floor in relation to WZD suspension locations (Recommended 6-12" inset).
- 2 Drill pilot holes in top rail where mechanical fasteners will be used to mount the suspension track .
- 3 Install the suspension track on the ceiling and floor using substrate appropriate fasteners (not included).
- 4 Insert brass T-nut into suspension track and rotate approximately 30 degrees.
- 5 Thread top cap and bottom cap onto T-nut and hand tighten.



- 4 Predrill holes for Ezo Clamps onto suspension points.
- 5 Secure Ezo Clamps to predrilled holes
- 6 Raise unit to suspended cables and insert cables into Ezo Clamp. Depress top nozzle of Ezo Clamp to loosen, cable will lock when released
- 7 Use Ezo Clamps to level unit

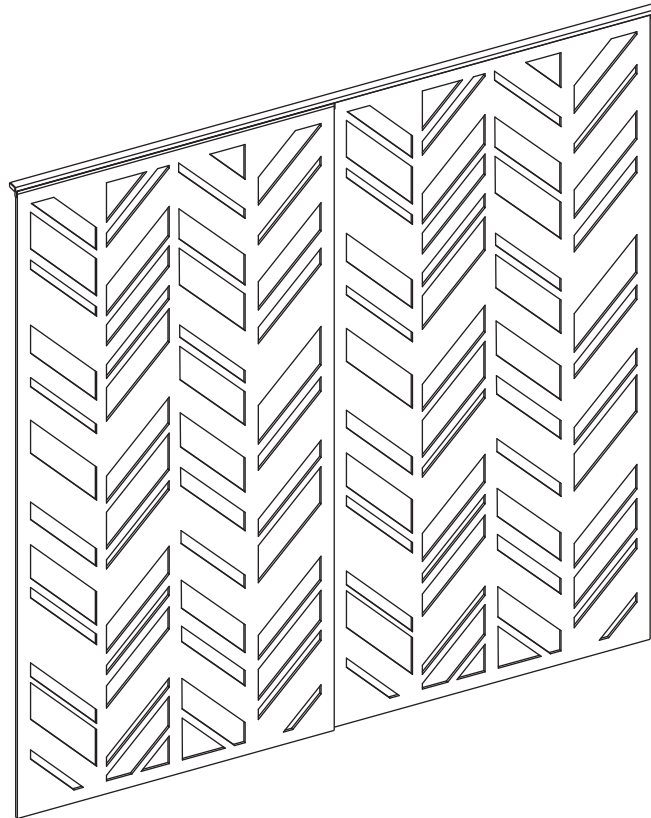
- 8 Trim excess cable



INSTALLATION INSTRUCTIONS

WORK ZONE DIVIDER

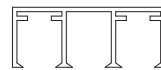
SLIDING TRACK



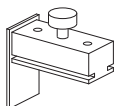
INSTALLATION HARDWARE



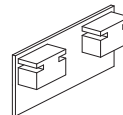
Top Profile
PF90/PF120



Suspension Track
PF123/PF125



Top Profile End Cap
PF90/PF120 Cap



Suspension Track Cap
PF123/PF125 Cap

*Images reflect typical hardware options. Please refer to packing list for items & quantities specific to your order

RECOMMENDED TOOLS

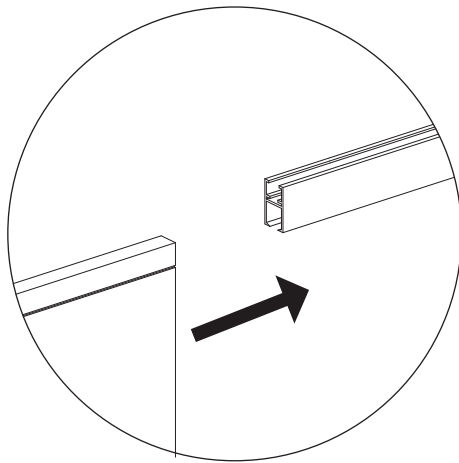
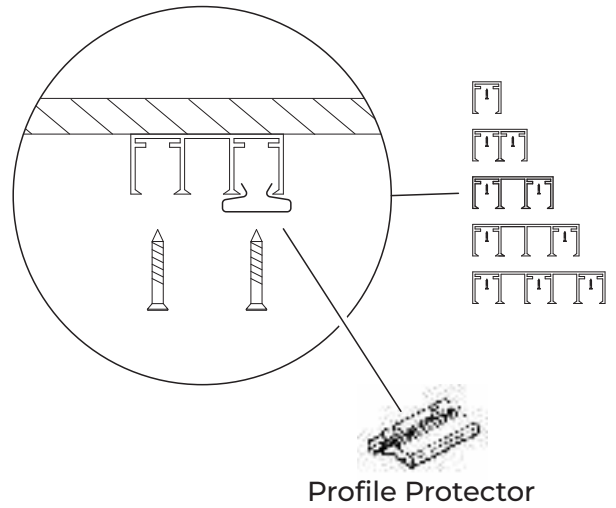
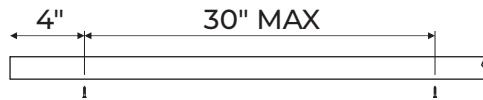
Drill - Tape Measure - Allen Key - Screwdriver

INSTALLATION INSTRUCTIONS

WORK ZONE DIVIDER

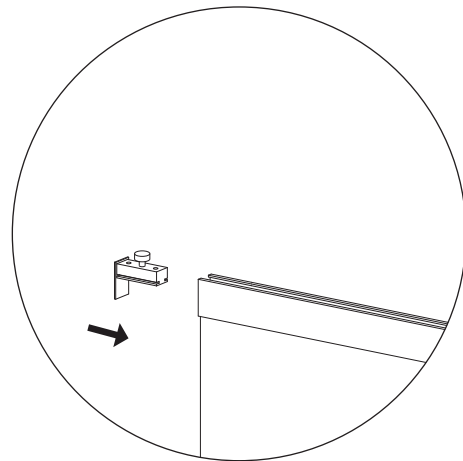
SLIDING TRACK

- 1 Determine track locations and locate bracket positions. Install bracket to ceiling using substrate appropriate hardware (not included)
*Screws location are recommended 4" inset from ends and every ~20" between.



- 2 Slide the Work Zone Divider into the PF90/120 carrier.

- 3 Insert PF90/120 end-caps.

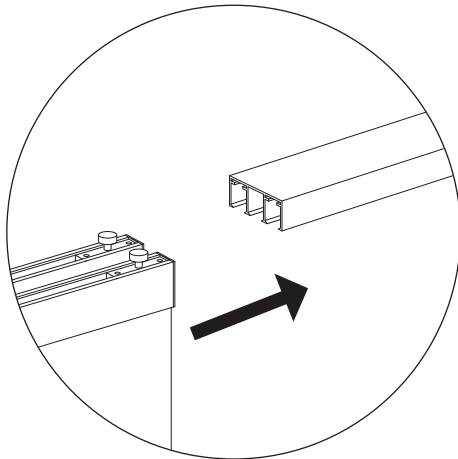
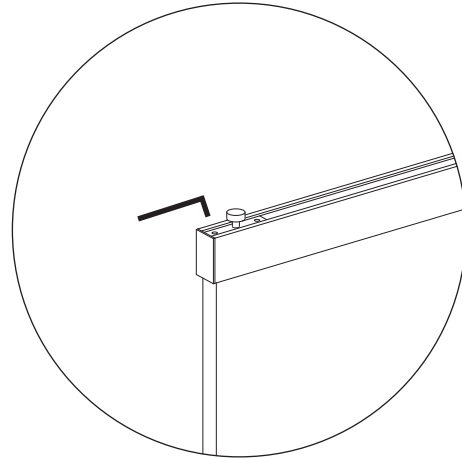


INSTALLATION INSTRUCTIONS

WORK ZONE DIVIDER

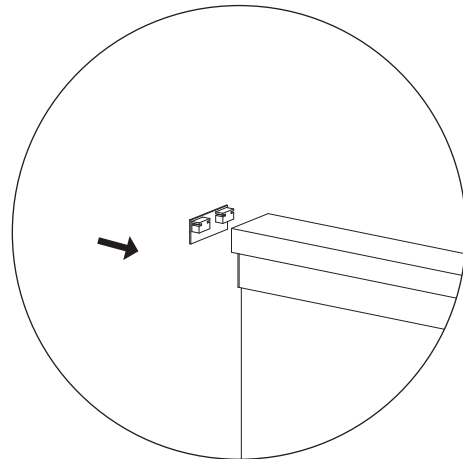
SLIDING TRACK

- 4** Tighten the end-caps on each side using the Allen Key



- 5** Slide the Work Zone Divider through the slots on the PF123/PF125.

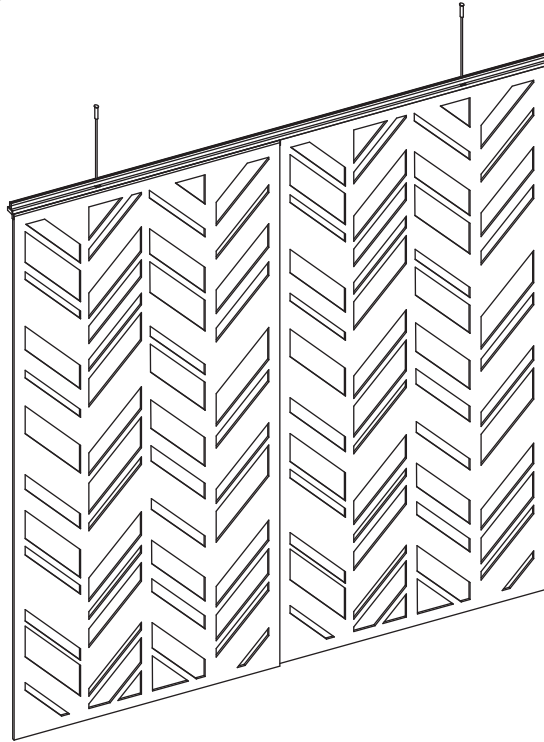
- 6** Insert end-caps to the PF123/125 profile.



INSTALLATION INSTRUCTIONS

WORK ZONE DIVIDER

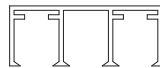
SUSPENDED TRACK



INSTALLATION HARDWARE

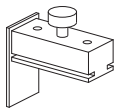


Top Profile
PF90/PF120

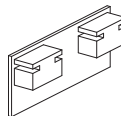


Suspension Track
PF123/PF125

Suspension Rod Set
SPD Set



Top Profile End Cap
PF90/PF120 Cap

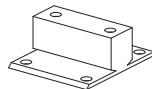


Suspension Track Cap
PF123/PF125 Cap

— SP50C



Universal Nut
SP12



Top Profile Conector
SSB3



— SP04

— SP03

*Images reflect typical hardware options. Please refer to packing list for items & quantities specific to your order

RECOMMENDED TOOLS

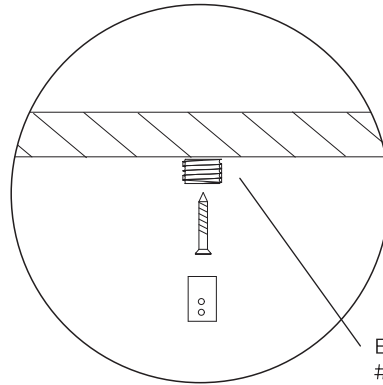
Drill - Tape Measure - Allen Key - Screwdriver

INSTALLATION INSTRUCTIONS

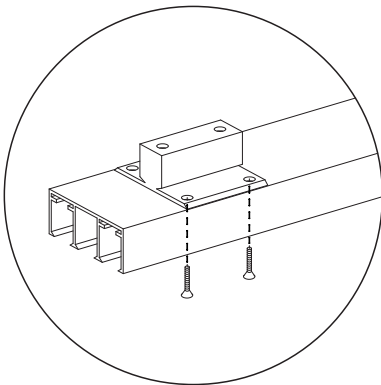
WORK ZONE DIVIDER

SUSPENDED TRACK

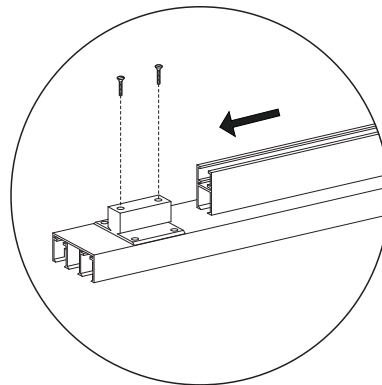
- 1** Locate available pickpoints on ceiling in relation to suspension locations.
- 2** Mount the SP03C securely to the ceiling using the appropriate hardware (not supplied).
**Use ceiling anchors if necessary.*
- 3** Twist the SP04 onto the SP03C.



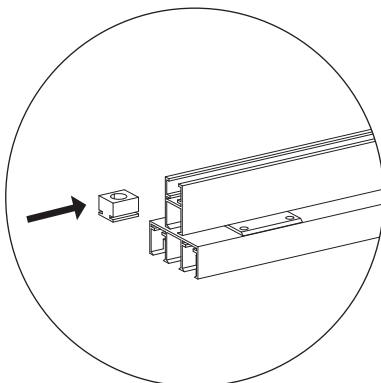
Brass locator accepts #8 wood screws. To accommodate concrete anchors, locator must be drilled out.



- 4** Position the SSB3 with the holes on the PF123/PF125, and screw it in the position.



- 5** Slide the SSB3 into the PF120 profile, align ends and screw them.

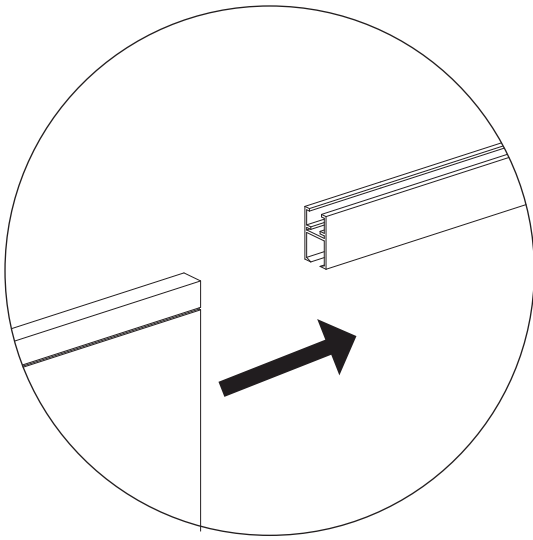


- 6** Slide the SP129 Universal Nut into the PF120 profile. (1 per Rod)

INSTALLATION INSTRUCTIONS

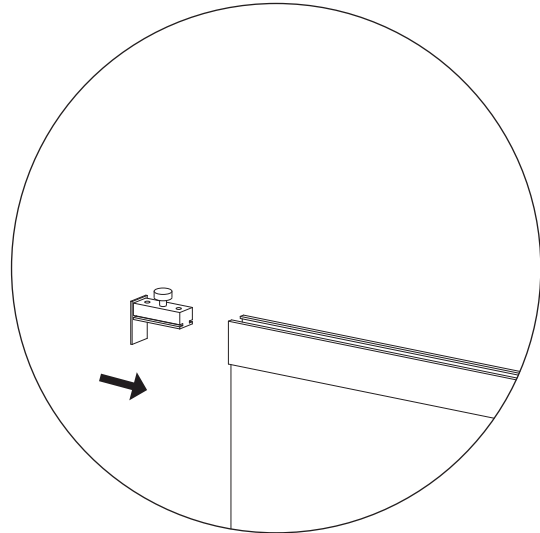
WORK ZONE DIVIDER

SUSPENDED TRACK



- 2** Slide the Work Zone Divider into the PF90/120 carrier.

- 3** Insert PF90/120 end-caps.

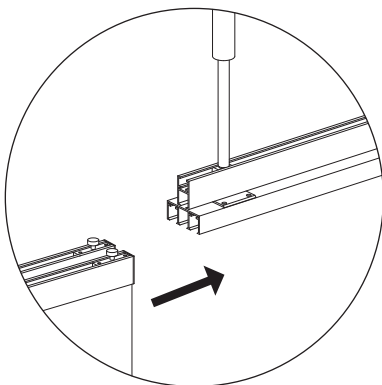
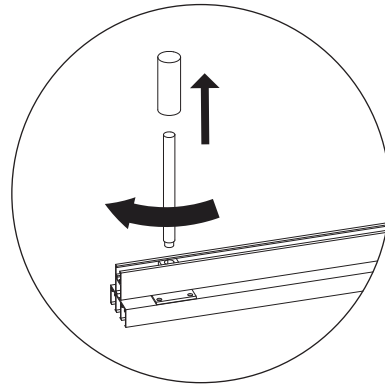


INSTALLATION INSTRUCTIONS

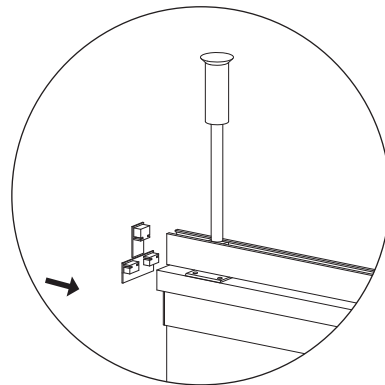
WORK ZONE DIVIDER

SUSPENDED TRACK

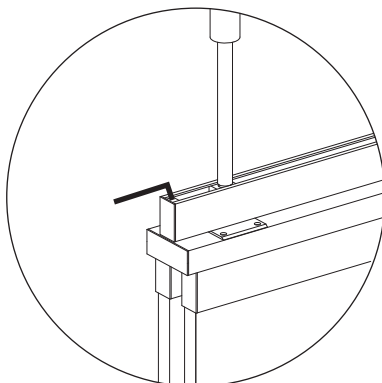
- 7** Twist the SP03 Rods into the SP129 Universal Nut
- 8** Insert the SP03 Rod into the SP04 Ceiling Support.
- 9** Tighten the SP04 screws using the Allen Key (provided)



- 10** Slide the Work Zone Divider through the slots on the PF123/PF125.



- 11** Insert end-caps to the PF120 and PF123/PF125 profiles.

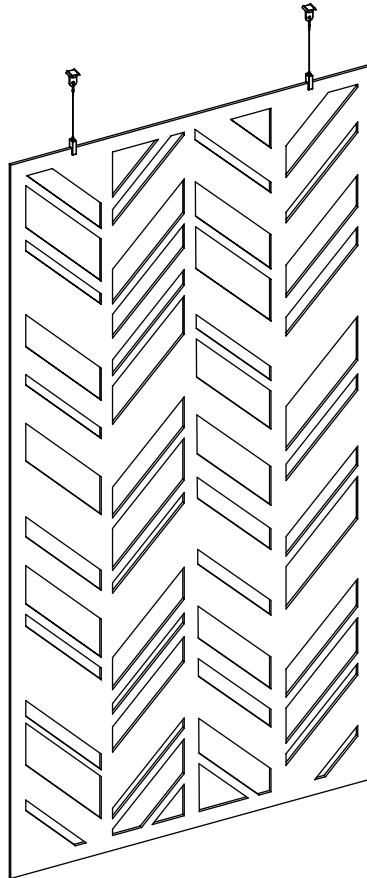


- 12** Tighten the end-caps on each side using the Allen Key

INSTALLATION INSTRUCTIONS

WORK ZONE DIVIDER

T-BAR CLIP



INSTALLATION HARDWARE



CABLE



PUSH CLIPS



T BAR CLIP



WIRE CRIMPS

*Images reflect typical hardware options. Please refer to packing list for items & quantities specific to your order

RECOMMENDED TOOLS

Drill - Level - Laser - Tape Measure - Allen Key

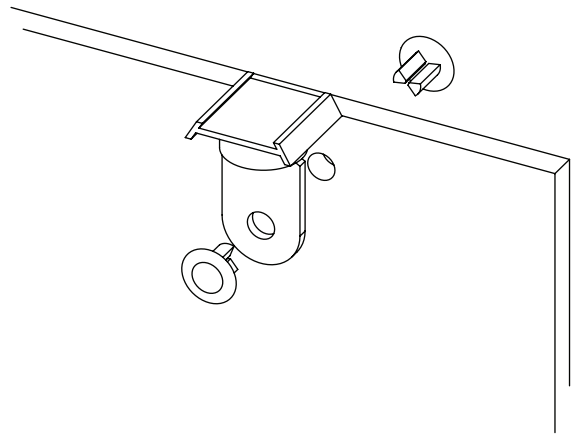
INSTALLATION INSTRUCTIONS

WORK ZONE DIVIDER

T-BAR CLIP

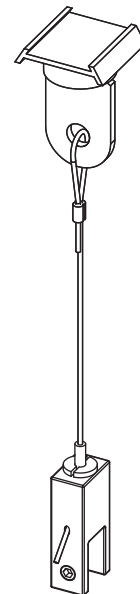
DIRECT MOUNT

- 1 Locate pickpoint locations on both ceiling and product
- 2 Mark and drill pilot hole into Ezo product
- 3 Fasten T-bar clip onto product using one pair of push clips
- 4 Snap T-bar clip onto ceiling grid T-bar



SUSPENDED

- 1 Loop one end of wire through the hole in the T-bar clip
- 2 Using crimpers (not supplied) crimp the wire together with supplied crimp
- 3 Attach wire to product hardware (as per product instructions)
- 4 Snap T-bar clip onto ceiling grid T-bar



UNITED STATES

Ayrsonics Mid West LLC

170 Prairie Lake Rd
East Dundee, IL 60118
P: 1-800-517-0686
sales@mw.ayrsonics.com

Ayrsonics Southwest LLC

8934 Eton Ave
Canoga Park, CA 91304
213-833-9700
sales@sw.ayrsonics.com

Ayrsonics New England LLC

32 Hampshire Rd
Salem, NH 03079
P: 603-824-9338 ext. 3001
P: 603-327-4349
sales@ne.ayrsonics.com

CANADA

Ayrsonics Inc - Ontario

825 Trillium Drive
Kitchener, Ontario N2R 1J9
P: 1-844-441-1122
sales@ayrsonics.com

Ayrsonics Inc - Alberta

#9112 – 52nd St. S.E.
Calgary, Alberta T2C 5A9
P: 1-844-441-1122
sales@ayrsonics.com

EzoBord Corporate Office

6845 Rexwood Road,
Unit 7 Mississauga,
ON L4V 1S5 Canada
+1 416 665 3571
info@ezobord.com

CENTRAL & LATIN AMERICA

EzoBord Costa Rica SRL

100 Sur 25 Oeste Recope
Bodega #18 Ochomogo, Cartago
+506 8842 4613
info-latam@ezobord.com

EzoBord - LATAM

Buenos Aires, Argentina
+54 9 11 5657 1793
info-latam@ezobord.com

UNITED KINGDOM

EzoBord UK Ltd

Unit 20 Westwood Business Park
Margate, Kent. CT9 4JJ
+44 1843 264027
sales@ezobord.co.uk

IRELAND

EzoBord Ireland

Unit 523, Greenogue Business Park
Rathcoole, Co. Dublin D24 RY89
+353 (0)1 443 3599
sales@ezobord.ie

FOLLOW US

